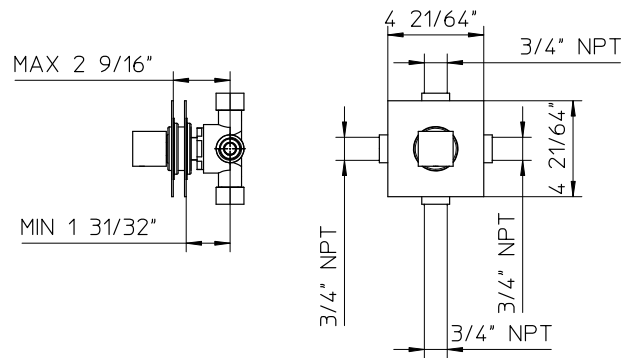
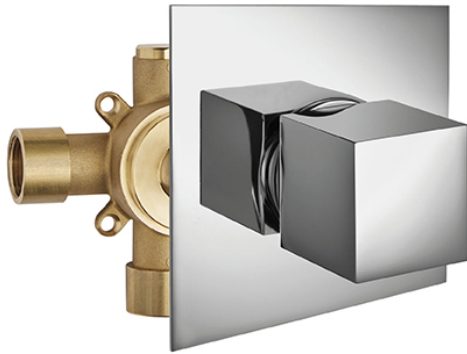


# PALAZZANI



code **992713-10+412570-10**

## Features

- 2 way complete with concealed parts.
- Ceramic disc valves longevity standards for a lifetime of durable performance.
- Valve body cast brass

## Material

- Solid brass.
- Finishes resist corrosion and tarnish.

## Certifications

- ASME A112.18.1/CSA B125.1-12
- California Energy Commission (CEC)
- ADA

## Available color finishes

- 10 chrome

## Technical information

- All product dimensions are nominal
- Faucet flow rate: 10 gpm
- Pressure 45 psi

## Warranty

- Limited warranty.
- See website for detailed warranty information.

## Note

- Install this product according to the installation guide.
- Final measurements confirm with product
- Palazzani reserves the right to make revisions without notice to product specifications.



**PALAZZANI USA**

phone (305) 651.4470 ■ service@palazzaniusa.com