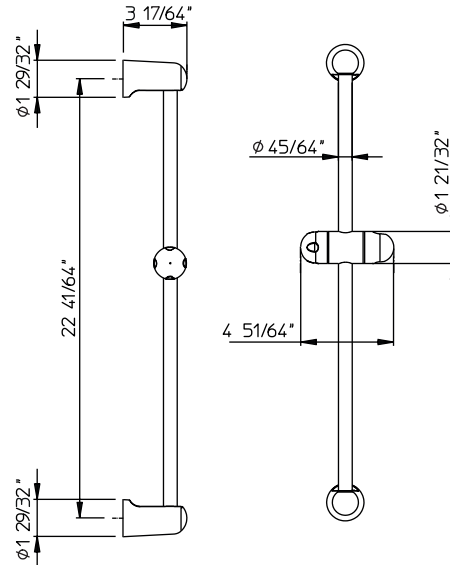




# PALAZZANI showers



code **992084-10**

## Features

- Slide rail in Brass, 22 41/64", Ø 45/64".
- Swivel bracket in abs.
- Coated with 20 micron of chrome.

## Material

- Solid brass.
- Abs.
- Finishes resist corrosion and tarnish.

## Certifications

- ADA.

## Available color finishes

- 10 chrome.

## Technical information

- All product dimensions are nominal.
- Wall-mount.

## Warranty

- Limited warranty.
- See website for detailed warranty information.

## Note

- Install this product according to the installation guide.
- Final measurements confirm with product.
- Palazzani reserves the right to make revisions without notice to product specifications.



**PALAZZANI USA**

phone (305) 651.4470 ■ service@palazzaniusa.com