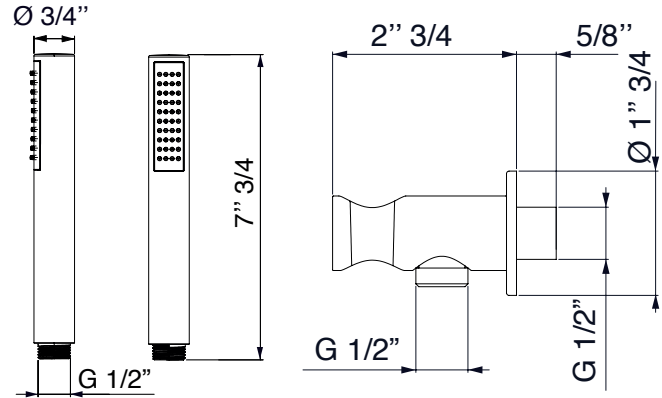




# PALAZZANI showers



code **9910U4-10**

## Features

- Fixed bracket in brass with water delivery.
- Flexible tube 4 11 1/16".
- Handshower in abs  $\varnothing 1 \frac{1}{32}$ ".
- Easy-clean system.
- Coated with 20 micron of chrome.

## Material

- Solid brass.
- Abs.
- Finishes resist corrosion and tarnish.

## Certifications

- ADA.

## Available color finishes

- 10 chrome.
- 34 matt copper.
- 36 brushed dark nickel.
- 38 matt black.
- 43 matt white.
- 49 brushed steel finish.
- 50 bronze.
- 53 gold.
- 68 polish nickel.

## Technical information

- All product dimensions are nominal.
- Max flow rate: 2 gpm.
- Wall-mount.

## Warranty

- Limited warranty.
- See website for detailed warranty information.

## Note

- Install this product according to the installation guide.
- Final measurements confirm with product.
- Palazzani reserves the right to make revisions without notice to product specifications.



**PALAZZANI USA**

phone (305) 651.4470 ■ service@palazzaniusa.com