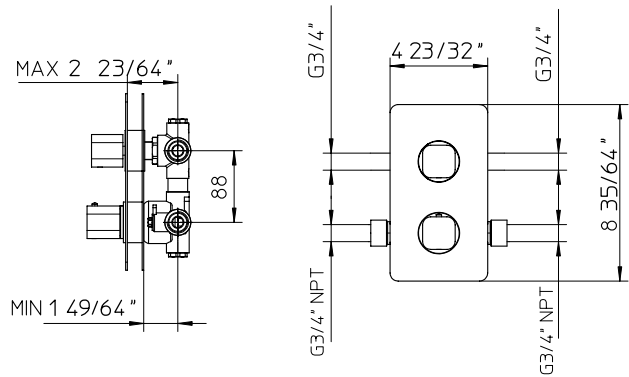


PALAZZANI **mis**



code **992774-10 + 922503-10**

Features

- Thermostatic volume and temperature control pressure balance 2 way complete with concealed parts.
- Temperature memory allows faucet to be turned on and off at any temperature setting.
- Safety stop at 38°.
- Built in non-return valve.
- Ceramic disc valves longevity standards for a lifetime of durable performance.
- Valve body cast brass.

Material

- Solid brass.
- Finishes resist corrosion and tarnish.

Certifications

- ASME A112.18.1/CSA B125.1-12
- California Energy Commission (CEC)
- ADA

Available color finishes

- 10 chrome
- 13 chrome-white
- 27 chrome-black
- 34 matt copper
- 36 brushed dark nickel
- 38 matt black
- 43 matt white
- 49 brushed steel finish
- 50 bronze
- 53 gold
- 59 chrome-red
- 68 polished nickel

Technical information

- All product dimensions are nominal.
- Handle clearance: 1 31/32" (50mm).
- Faucet flow rate: 7.5 gpm.
- Pressure: 60 psi.

Warranty

- Limited warranty.
- See website for detailed warranty information.

Note

- Install this product according to the installation guide.
- Final measurements confirm with product.
- Palazzani reserves the right to make revisions without notice to product specifications.



PALAZZANI USA

phone (305) 651.4470 ■ service@palazzaniusa.com