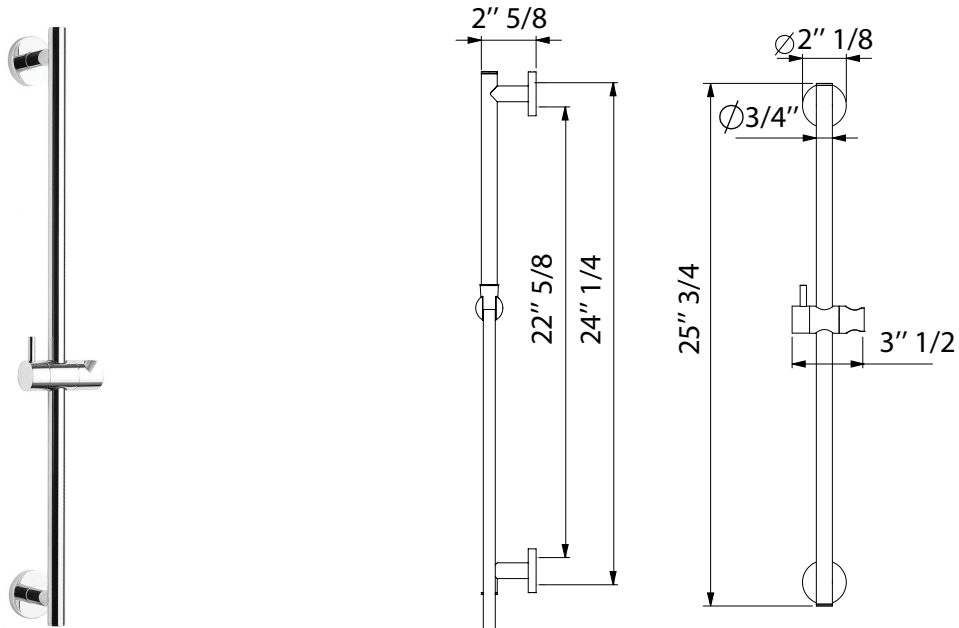




PALAZZANI showers



code **9958A1-10**

Features

- Slide rail in Brass, 24" 1/4, Ø 2" 1/8.
- Swivel bracket in abs.
- Coated with 20 micron of chrome.

Material

- Solid brass.
- Abs.
- Finishes resist corrosion and tarnish.

Certifications

- ADA.

Available color finishes

- 10 chrome.

Technical information

- All product dimensions are nominal.
- Wall-mount.

Warranty

- Limited warranty.
- See website for detailed warranty information.

Note

- Install this product according to the installation guide.
- Final measurements confirm with product.
- Palazzani reserves the right to make revisions without notice to product specifications.



PALAZZANI USA

phone (305) 651.4470 ■ service@palazzaniusa.com